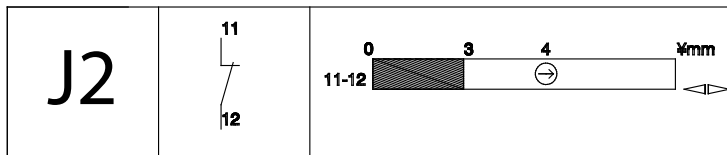
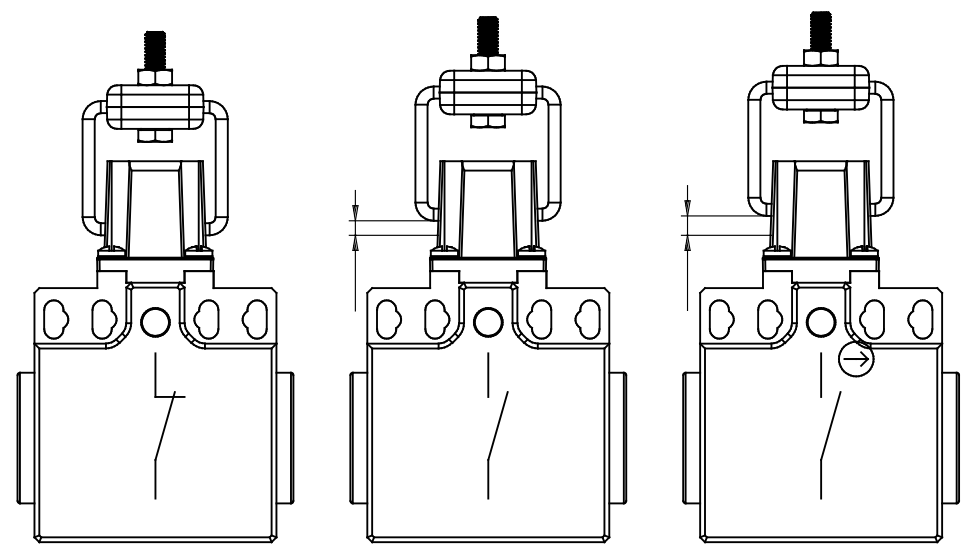
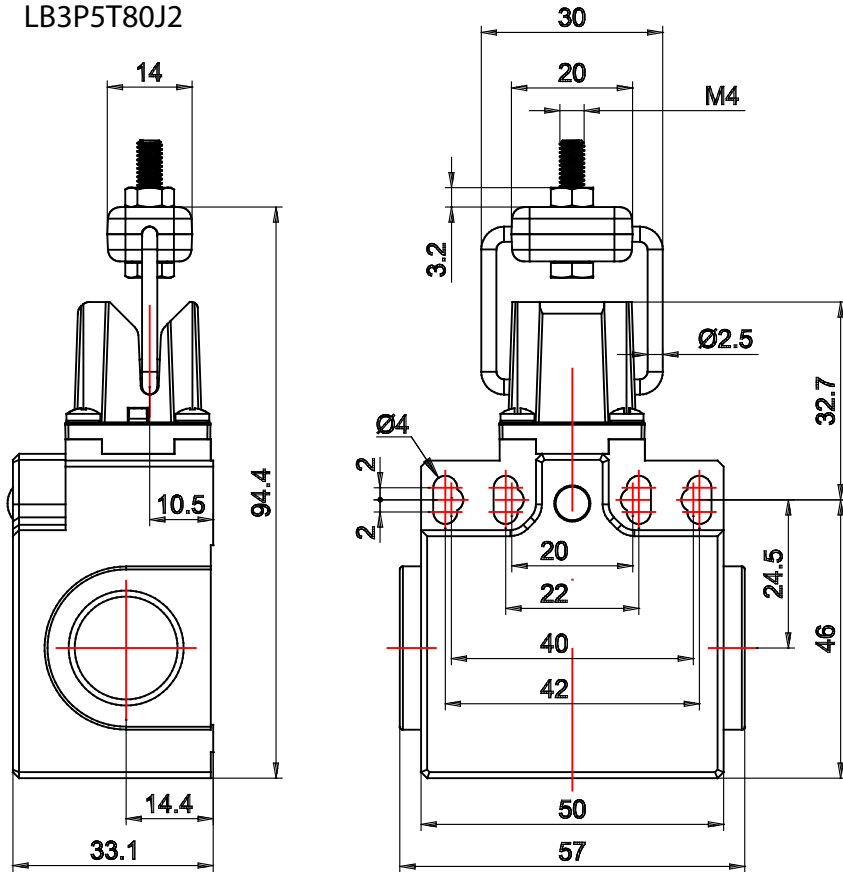


TECHNICAL VIEW:

LB3P5T80J2



DETAILS:

Part Number	LB3P5T80J2
Casing Material	Reinforced thermoplastic
Width [mm]	50
Electrical connections	Two cable inlets for M20x1.5 cable glands
IP Degree of Protection	IP65
Actuating Head	Adjustable actuator
Head Material	Thermoplastic head
Microswitch	Slow action contact (1NC) positive opening
Approvals	CE
Reference Directives	LVD - 2014/35/EU - LVD - 2014/33/EU
Reference Standards	IEC 60947-5-1 / EN 60947-5-1 / EN 81-20, EN 81-50
Operating Temperatures [°C]	-25°C ... +70°C
Stock Temperatures [°C]	-25°C ... +70°C
Protection against electric shocks [Classe (secondo IEC 60536)]	Class II - Double insulation
Rated Insulating Voltage Ui [V]	400
Pollution Degree	3
Contact rating according to UL50	415Vac 4A Pilot Duty / 24Vdc 3A Pilot Duty
Rated Impulsive Voltage Uimp [kV]	6
Conventional thermal current in free air Ith [A (θ	10
Short circuit protection [A (Ue	10
Rated Operational Current Ie - AC-15 (50-60 Hz) [Secondo IEC 60947-5-1]	400V - 4A
DC-13 operating currents [Secondo IEC 60947-5-1]	24V - 3A
Switching Frequency [Cicli/ora]	3600
Resistance Between Contacts [mΩ]	25
Connecting Terminals	M3.5 screw with cable clamp (+,-) pozidriv 2
Connecting Cables Dimensions [mm²]	0.75 ... 2.5
Protective Conductor Terminal	/
Marking Terminals	According to IEC 60947-5-1
Mechanical Durability [Milioni di manovre]	1
B10d [Milioni di manovre]	2

PRODUCT DRAWING RELEASE:

Datasheet creation date: 23/09/2021 11:26

Last Modification (geometry): 20/07/2021 13:22